

Versatile reliability



Value printer line for standard coding & marking applications, delivering consistent high-quality printing with attractive operating costs.



ABOUT LEIBINGER

Trusted partner

Companies from all industries rely on LEIBINGER every day.

Family-owned

Supporting the same values that Paul Leibinger set out in 1948.

Made in Germany

100% precision-engineered at our factory in Tuttlingen.

Disruptive innovation

We're constantly improving and innovating to make our customers more productive.

Sustainability

Solid reliability, fair maintenance and ultra-low power and solvents consumption.

Global presence

Wherever you are in the world, LEIBINGER and our 150 partners are there for you.

Unique technology = Your benefits

1

Highest productivity

LEIBINGER's **fully automatic nozzle sealing technology** is unique in the market. It completely prevents clogging and eliminates the need for time-consuming cleaning by sealing ink in an airtight circuit during printing breaks. This guarantees seamless start & stop functionality and high quality printing at any time — no interruptions, and no downtime.

2

High-precision, ultra-reliable marking

The LEIBINGER brand stands for **unmatched reliability and sustainability**. Our German-engineered printers are crafted to perfection and trusted globally. With 85% in-house production, we ensure maximum quality control. Recognized worldwide as true plug & print solutions, LEIBINGER printers operate seamlessly, providing 100% peace of mind — a testament to our commitment to your success.

3

Lowest costs and maintenance effort

LEIBINGER's state-of-the-art CIJ printers have the **lowest Total Cost of Ownership (TCO)** offering optimized consumables and power consumption, and minimum maintenance. Unlike other printer providers, we focus on replacing only necessary spare parts, avoiding the need to replace entire ink core modules.





JET2 NEO Details

Print lines

≡ 3

Speed up to

⌚ 268 m/min
879 ft/min

Print raster

↕ 24 dots

Technical details

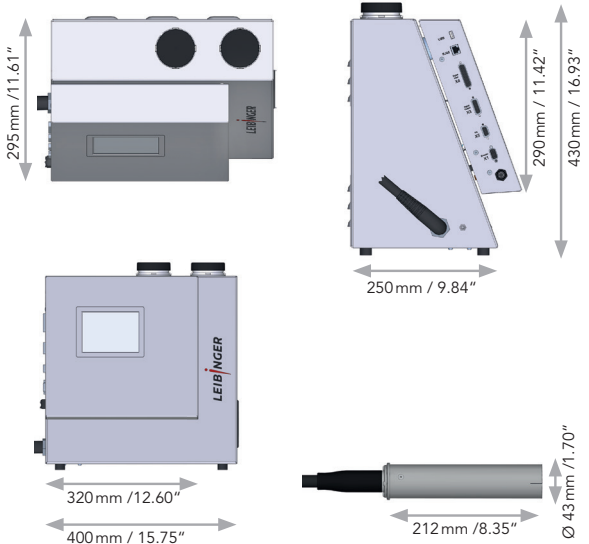
- » LEIBINGER's unique automatic nozzle sealing technology
- » Inks: dye-based, soft pigmented
- » Nozzle sizes: 60µm, 70µm
- » IP rating: IP 54
- » Interfaces: USB, Ethernet, I/O signals (5/4)
- » Touch screen display: 5.7"
- » LEIBINGER Connect remote monitoring software (option)
- » LEIBINGER EcoSolv solvent saving technology (option)

Environmental conditions

- » 100 V-240 V, 50-60 Hz, max. 40 VA
- » Temperature +5°C (+41°F) to +45°C (+113°F)
- » Relative humidity max. 90%, non-condensing
- » No external air pressure necessary (except for JET2 NEO D)

Dimensions

Umbilical length: 3 m (9.8 ft) and 6 m (19.6 ft)



JET2 NEO printer line

Quartet for every scenario



Top choice for standard applications



High performer in dusty environments



Specialist for ultra-fine printing



Egg printing specialist

Print on any material and on any shape



Bio-foil



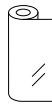
Carton



Ceramic



Film



Foil



Glass



Metal



Plastic



Rubber



Wire



Wood

“

Lowest consumption and less maintenance. We are very satisfied with the automatic nozzle sealing system that keeps the nozzle always clean and ready to print even after long shutdown. Very easy and user-friendly for the operation.

Iton Rudi Hermawan, Technical Manager, PT Gudang Garam, Indonesia

Get in contact with:

LEIBINGER experts:

info@leibinger-group.com

leibinger-group.com

Local LEIBINGER partner:

SIGTECH AG

sigtech@sigtech-ag.ch

sigtech-ag.ch